

Specifications

Portable suction unit: size 38x17x28.5cm, weight 5.1kg

Description (e.g.: model Vario A/C, manufacturer Medela)

Technical specifications: SUCTION MACHINE with pump:

- Power supply: 230-240V/50Hz
- Vacuum capacity: 18 litres/min
- Maximum depression: -75kPa (-563mmHg)

Vacuum is created by a plastic piston and cylinder system, with four vacuum-creating modules (QuatroFlex™ technology).

The membrane vacuum regulator permits accurate vacuum settings.

Double overflow-protection system (bottle and pump).

Working temperature range: +5 to +40°C.

SAFETY DEVICE:

The safety device protects the pump against overflow: suction is interrupted when foam or liquids reach the safety level in the small jar. All components are reusable and can be steam sterilized at 134°C.

A collector system with a single-use protection device has been added on request of the ICRC


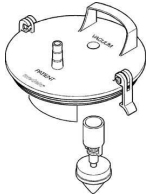


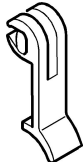
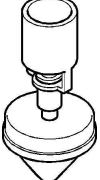
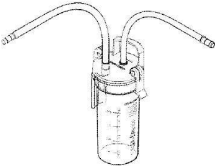
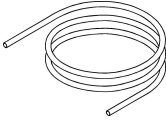
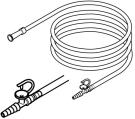

COLLECTOR SYSTEM:

Bottle or jar:	1 litre, graduated PSU (polysulphone)
Lid:	Includes 1 overflow device, a 6x10mm diameter conical connector and 2 clips
Connection tube:	Silicone tubing, diameter 12x7mm, length 25cm, and 2 connectors: 1 straight and 1 curved 90°.
Suction tube:	Reusable silicone tube: diameter 7x12mm, length 200mm. Single-use tube: diameter 7x12mm, length 180cm.
Filters:	Bacterial filters, single-use.
Unit presentation:	Delivered with the following components: <ul style="list-style-type: none"> - 1 suction machine and pump - 2 one-litre bottles or jars, with lids - 1 safety device - 4 overflow spares - 2 lid clip spares - 2 suction tubes, non-sterile - 2 suction tubes, sterile - 1 spare fuse - 1 user and maintenance manual, multilingual
Packaging:	Box: 400x400x470mm The following must appear on the pump packaging: <ul style="list-style-type: none"> - Manufacturer's name and address. - Item designation, serial number, CE mark and reference number of notifying body.
Outer packaging:	Manufacturer's name; product name and serial number.
Other:	Complies with <i>Medical Device Directive 93/42/EEC</i> , class risk IIa or equivalent. Manufacturer's quality management system complies with ISO 13485.



Accessories - Spare parts

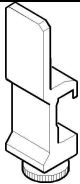
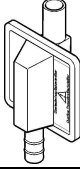
(Manufacturer Medela: model Vario 18 CA, 600.2601)

Code + description	Pictures	Comments
XSEQSUCC3B (suction, elec., vario) BOTTLE, 1L, psu, autoclavable		Liquid collector <ul style="list-style-type: none"> - volume content 1 litre - graduation scale 100ml - material polysulphone . sterilisable at 134°C
XSEQSUCC3BL (suction, elec., vario) LID w/ conn.6- 10mm, + overflow device		Components: <ul style="list-style-type: none"> - 1 conical connector Ø 10-14mm - 1 overflow protection device - 2 blue plastic clip, for lid fixation

<p>XSEQSUCCM30BLC (suction, elec., b30/vario) CLIP for lid</p>		<p>clip, plastic, blue, for lid fixation</p>
<p>XSEQSUCCM30BLO (suction, elec., b30/vario) OVERFLOW protection device</p>		<p>Bottle /jar overflow protection device, white</p>
<p>XSEQSUCC3S (suction, elec., vario) SAFETY DEVICE, for pump, Ref 2001733</p>		<p>Components 1 Botte/ jar 250ml, polisulphone 1 Lid with patient connector Ø 6-10mm, two clips and one overflow protection device 2 Connecting tube, silicone size: external Ø 12mm, internal Ø 7mm, length 30cm + 2 connectors All components are reusable and autoclavable at 134°C</p>
<p>XSEQSUCCM30T (suction, elec., b30/vario) TUBE SUCT., d.12x7mm/2m, silicone.</p>		<p>SuctionTubing (between operation field and suction machine) reusable Size: external Ø 12mm, internal Ø 7mm, length 2m Material silicone, Autoclavable at 134°C</p>
<p>MCTDTSUCC25 TUBE, SUCTION MACHINE, CH 25, 1.8m, sterile, s.u.</p>		<p>SuctionTubing (between operation field and suction machine) single use Size: external Ø 12mm, internal Ø 7mm, length 1.80m, with manual vacuum control connector</p>
<p>XSEQSUCC3U (suction, elec., vario) FUSE T 800 mA, dia.5x20mm</p>		<p>Fuse T 0.8 A Ø 5.0 x 20 mm</p>

Accessories not included in standard version 2009, can be ordered separately as option

ICRC Code + description	Pictures	Comments
<p>XSEQSUCC3A (suction, elec., vario) BAG, transport</p>		<ul style="list-style-type: none"> - Made of strong resistant waterproof textile - Multi pocket bag allowing to store accessories
<p>XSEQSUCC3R (suction, elec., vario) TROLLEY, w/ 2 fix.rails, Ref 0770511</p>		<p>Material: stainless steel 2 standard rails 10x25mm 4 swivelling antistatic castors, 2 with breaks</p>
<p>XSEQSUCC3RC (suction, elec., vario, trolley) CLAMP HOLDER, Ref 0770821</p>		<p>Support fixation clamp, for rails 10x25mm</p>

		
XSEQSUCC3F (suction, elec., vario) FILTER, anti-bacterial/overflow, s.u		Overflow protection /bacterial filter is compulsory for the suction model not equipped with reusable safety device (for ICRC all XSEQSUCC3 delivered before 2009)

Note:

When ordering technical spare parts always mention, suction apparatus model, and serial Number